

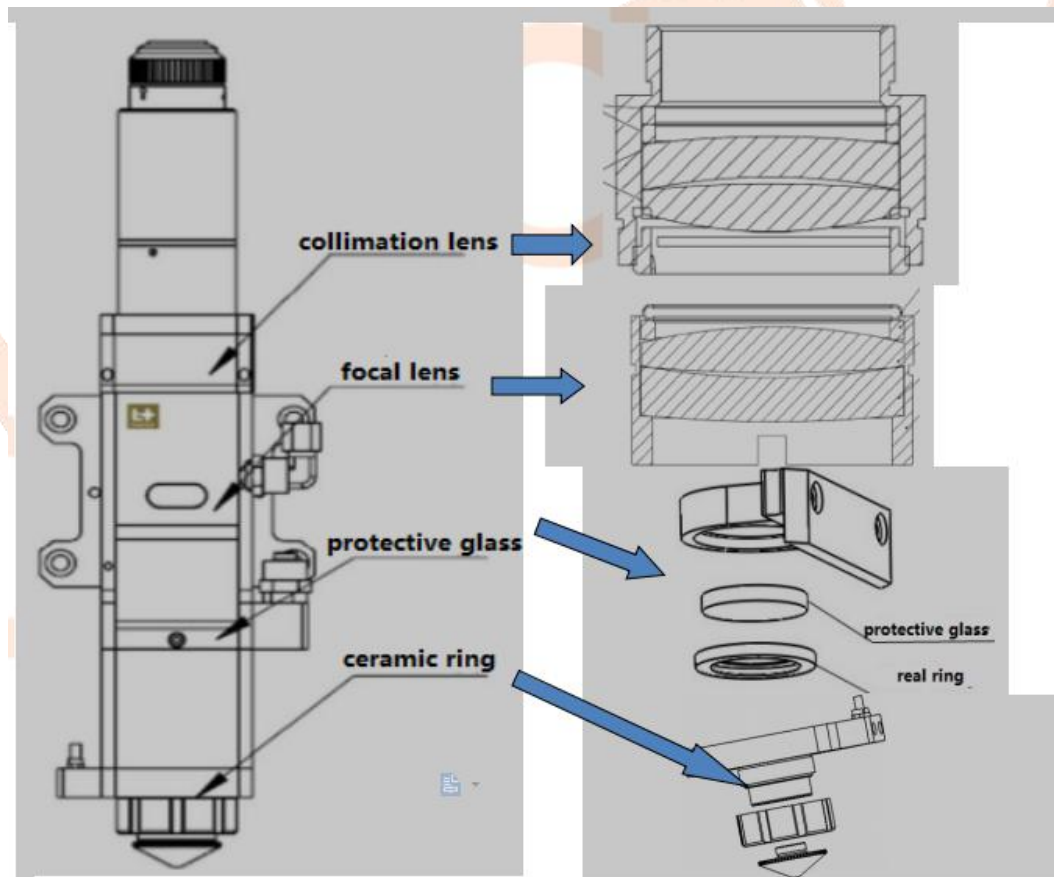


## How to remove the laser head and change the lens

### To prepare

- 1 safety tip : Before removing the laser head ,you have to switch off all the power and the gas.
- 2 tools : allen wrench ,the tool to remove the lens ,lens wiping paper, alcohol(99.5%), cotton ball and so on.
- 3 remove laser head need a clean room ,dust gloves

### The structure of laser head



### Remove

When clean and change the lens, according to the order and keep lens in correct towards.



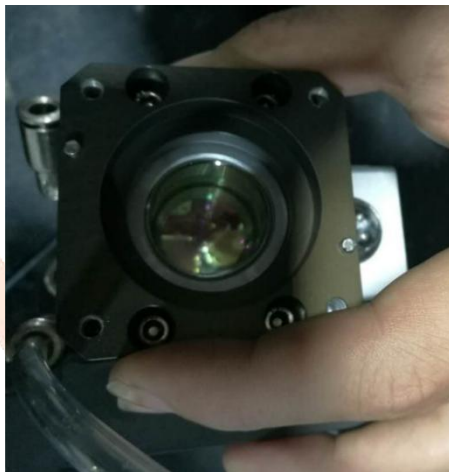
1 QBH

QBH  
module



Collimation  
lens

Loosen the screw ,we can see the QBH module and collimation lens as show in the picture above

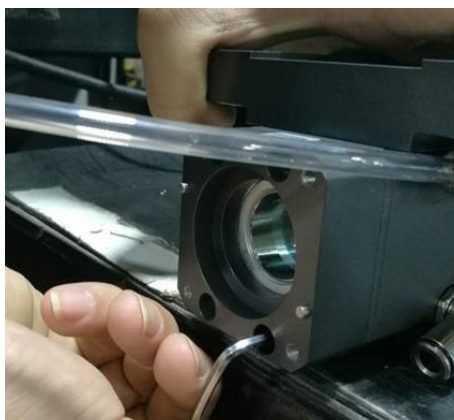


collimation lens



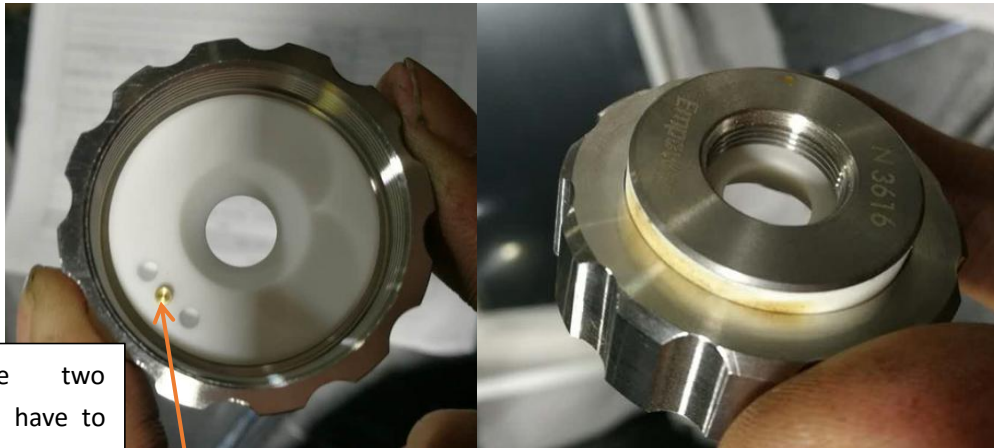
QBH module

2 remove collimation lens





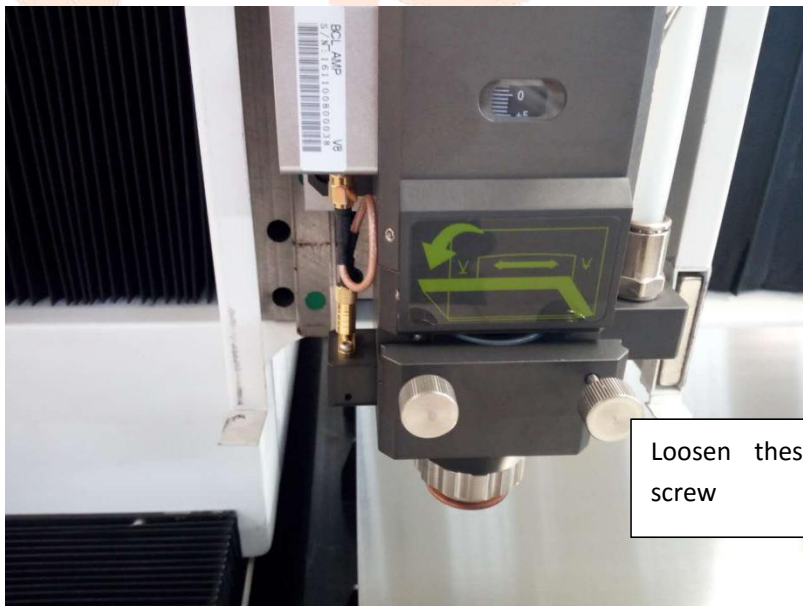
### 3 remove the nozzle and ceramic ring



These two parts have to connect well



### 4 remove the protective glass



Loosen these two screw



5 remove the focus lens

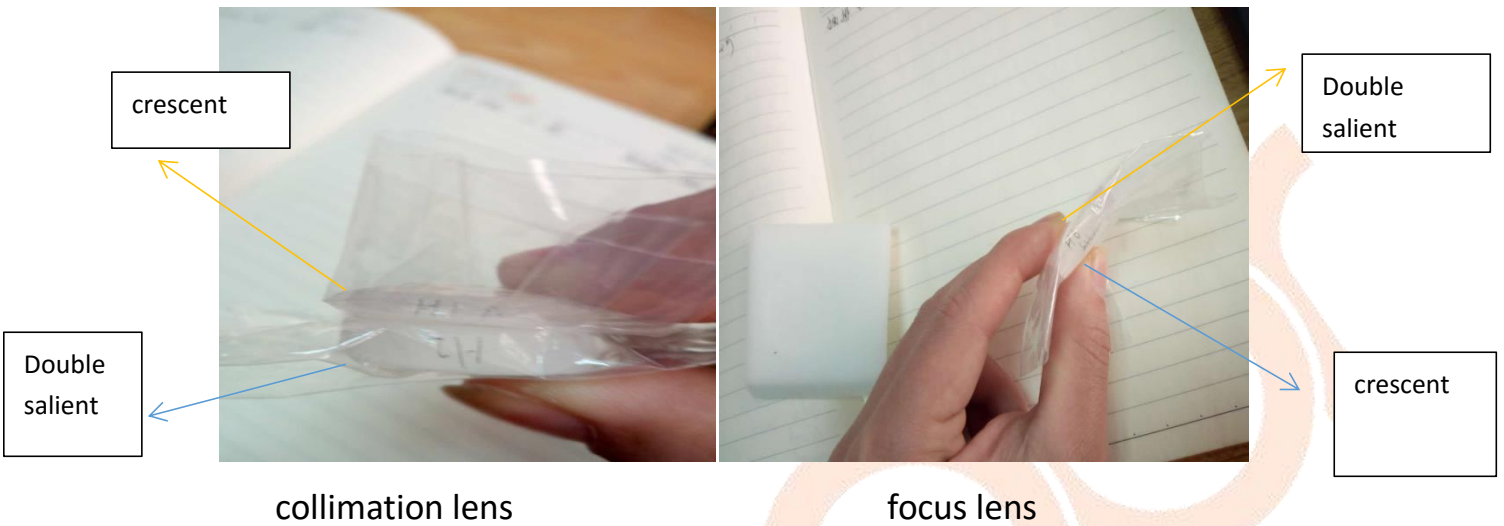


Use the special tool to remove



### 6 change the lens

When change the lens , right order and lens towards are important .



As show in the picture above, the lens side is marked with number, when install the two lens, the number direction must be opposite.

### 7 clean

In a clean room ,use the lens wiping paper to clean .wipe from one side to another side ,if its dirty ,use alcohol and cotton ball .